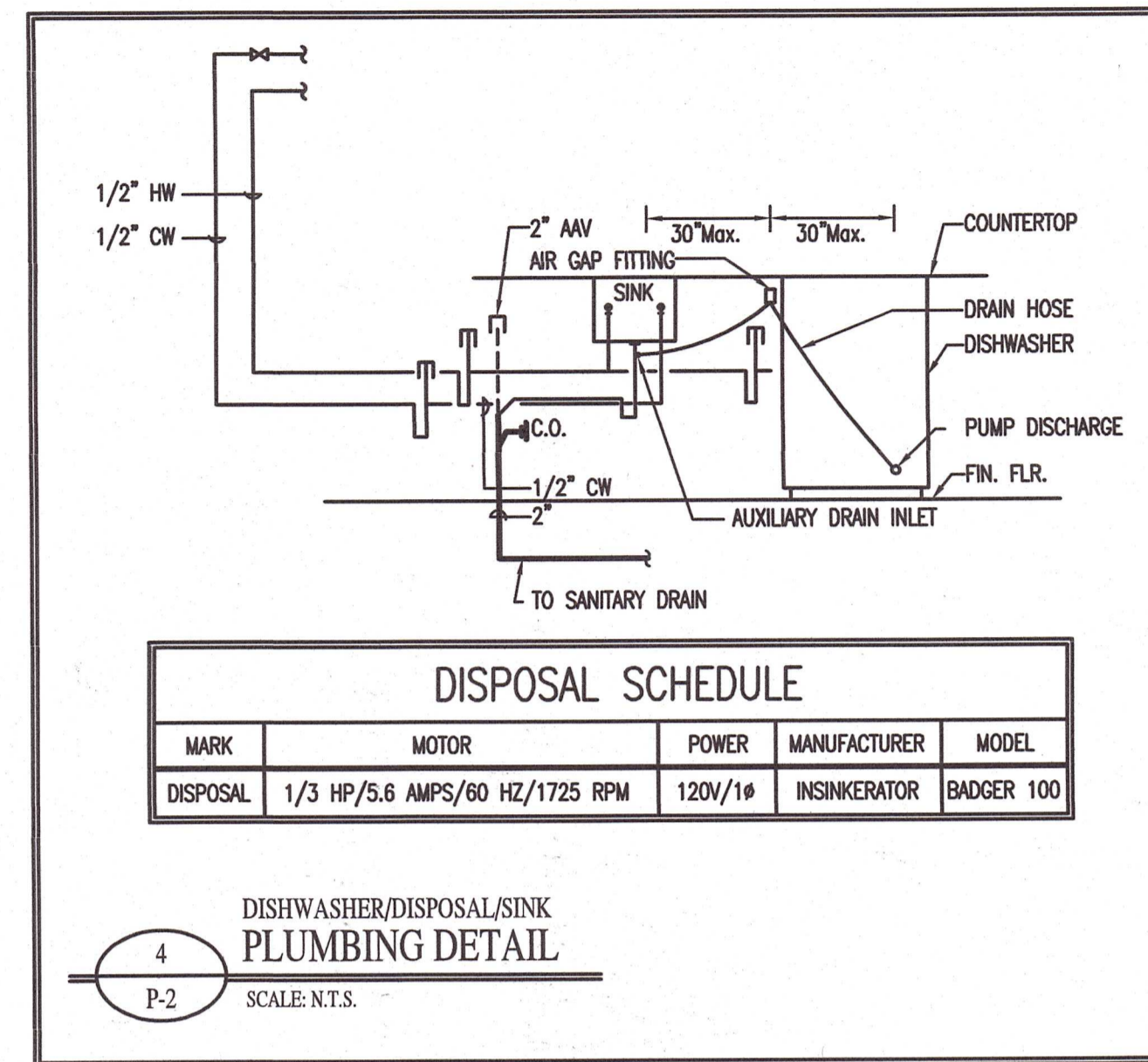
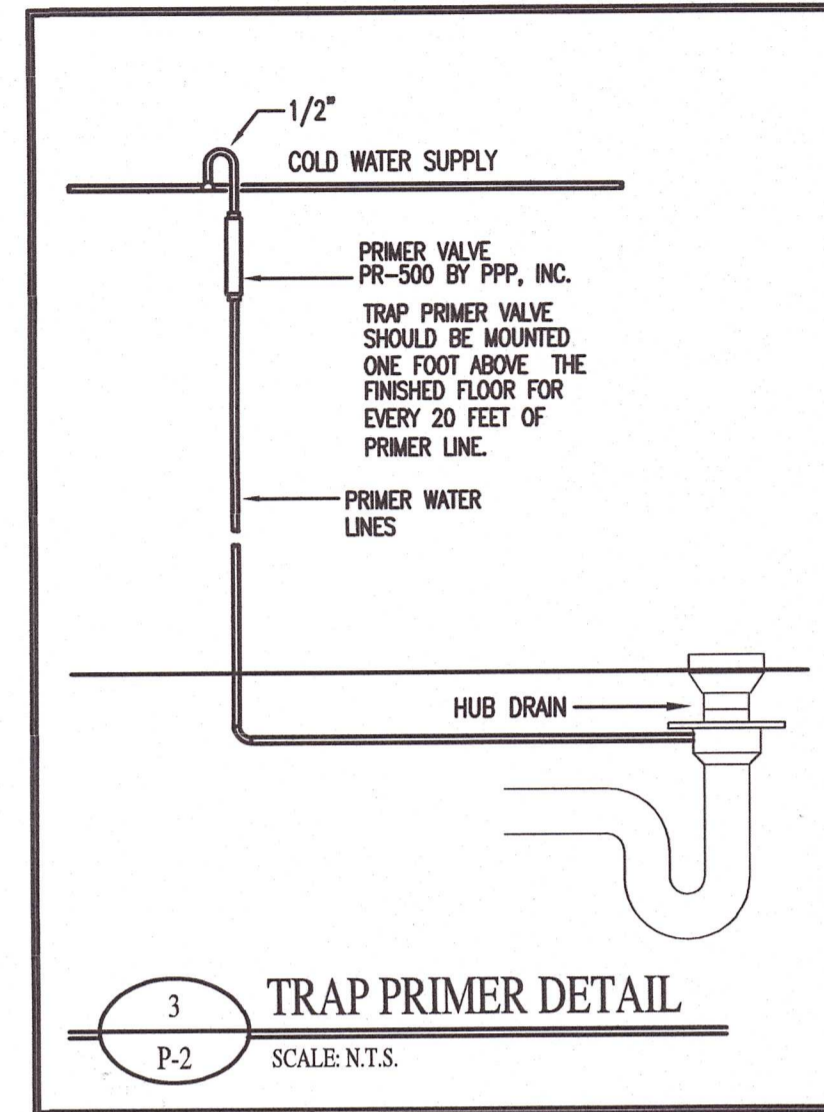


Alamance Consulting Engineers

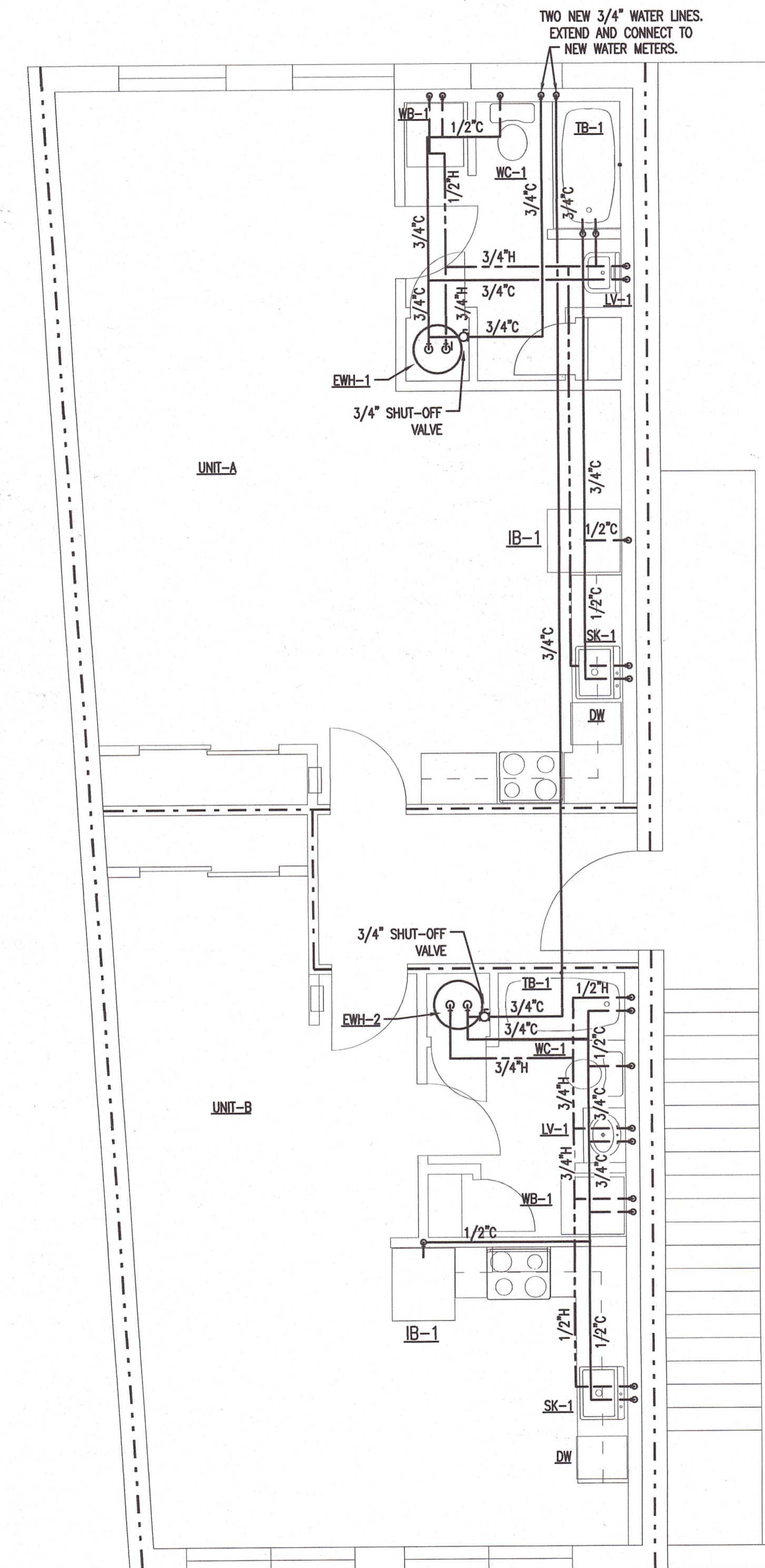
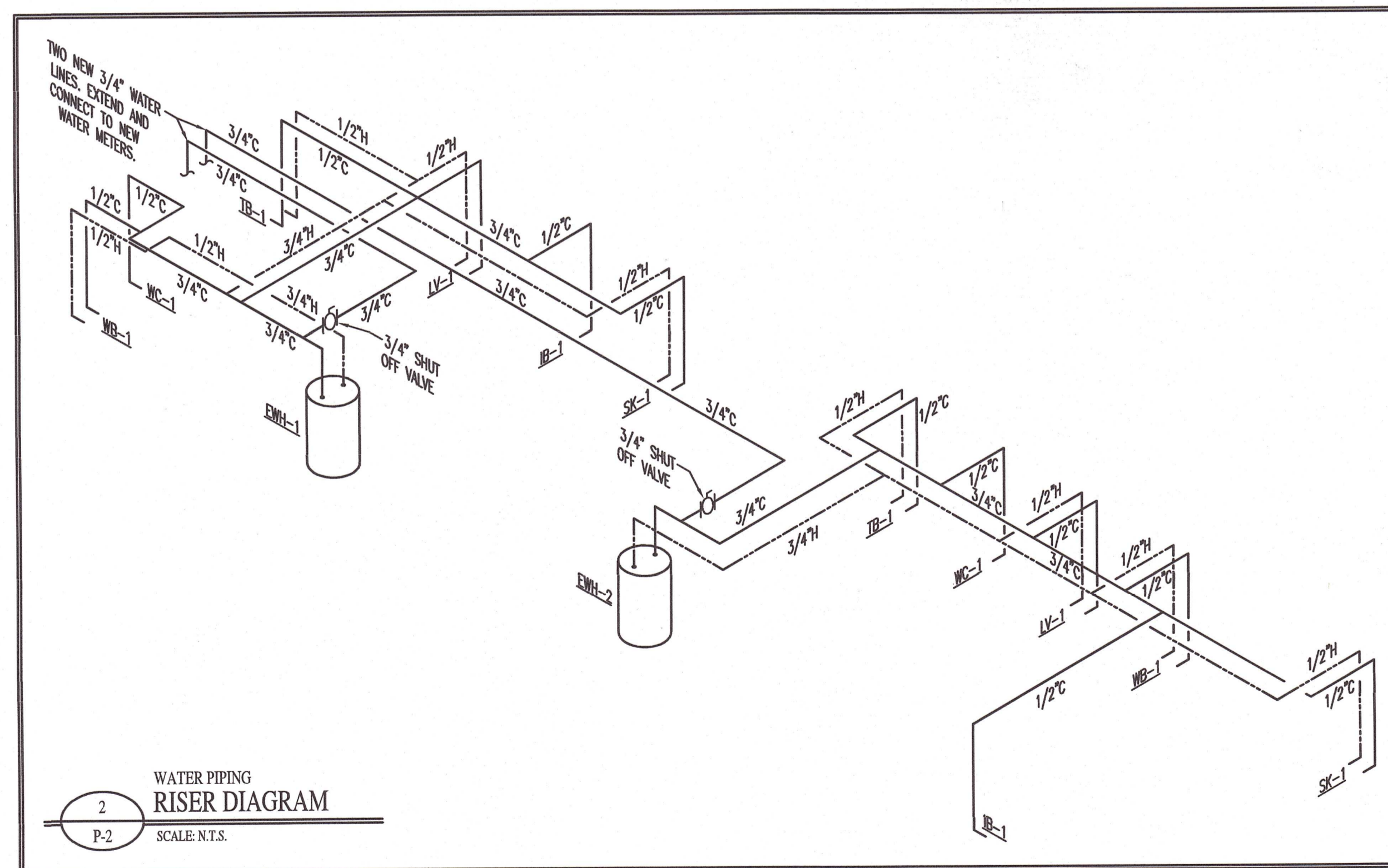
961-F Burlington Ave.
Gibsonville, N.C. 27249
Phone: (336) 449-4558
www.ace-nc.net
N.C. Firm License Number C-2071

WALL LEGEND	
SYMBOL	DESCRIPTION
	1-HOUR RATED FIRE WALL
	2-HOUR RATED FIRE WALL

PIPING LEGEND	
SYMBOL	DESCRIPTION
	COLD WATER
	HOT WATER



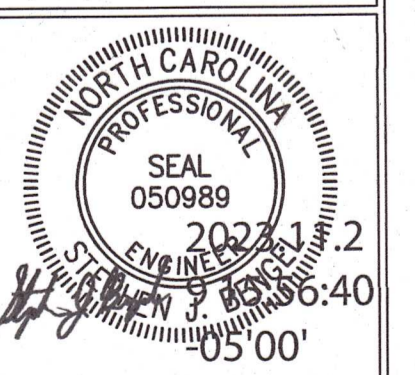
DISPOSAL SCHEDULE				
MARK	MOTOR	POWER	MANUFACTURER	MODEL
DISPOSAL	1/3 HP/5.6 AMPS/60 HZ/1725 RPM	120V/1φ	INSINKATOR	BADGER 100



BENFIELD APARTMENTS

111 E. Main St.
Gibsonville, NC 27249

DRAWING NAME
WATER PIPING PLAN



DRAWN	HLD
CHECKED	JNK
DATE	11/29/23
SCALE	AS NOTED
JOB NO.	23052
SHEET	

P-2