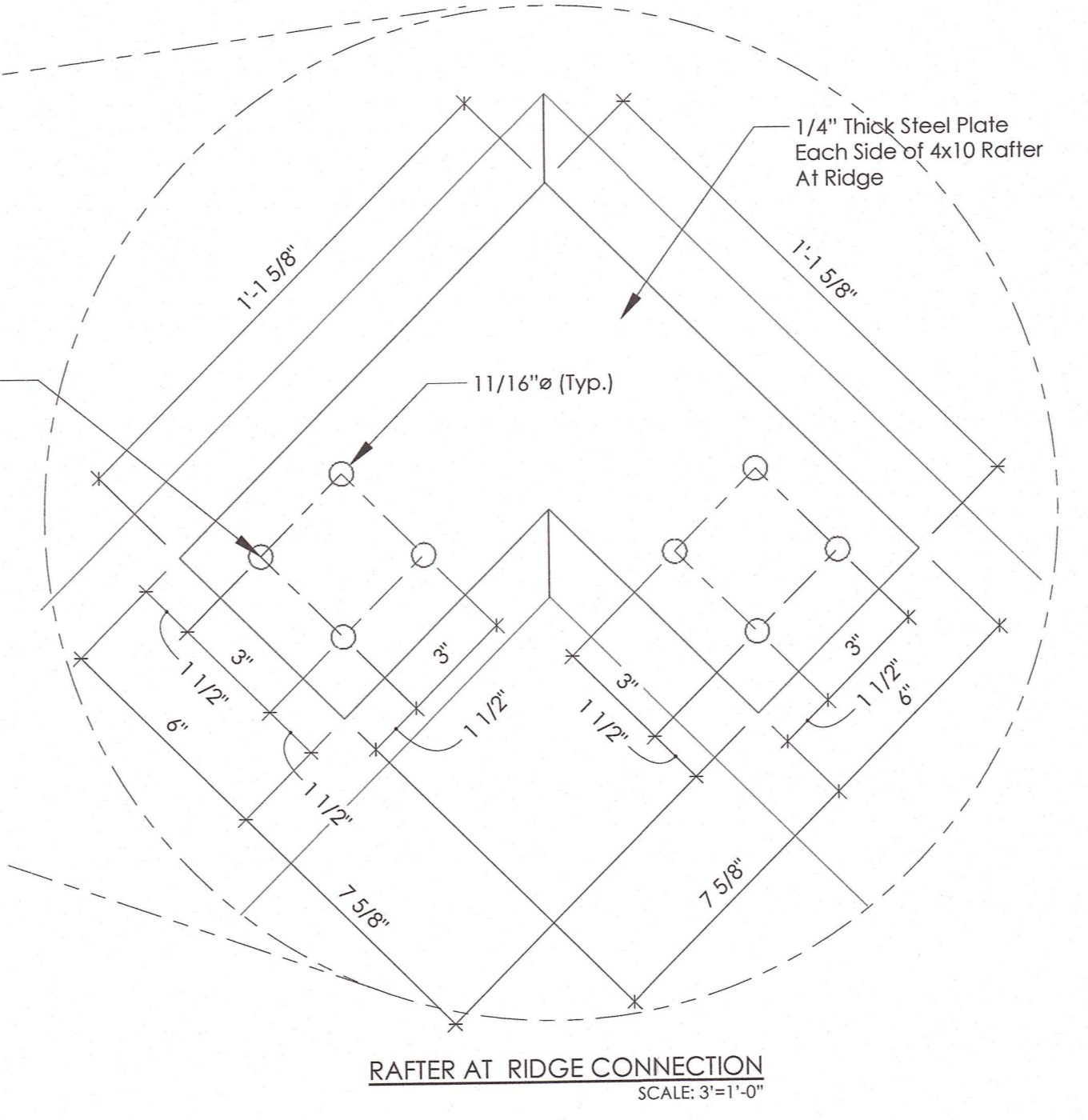
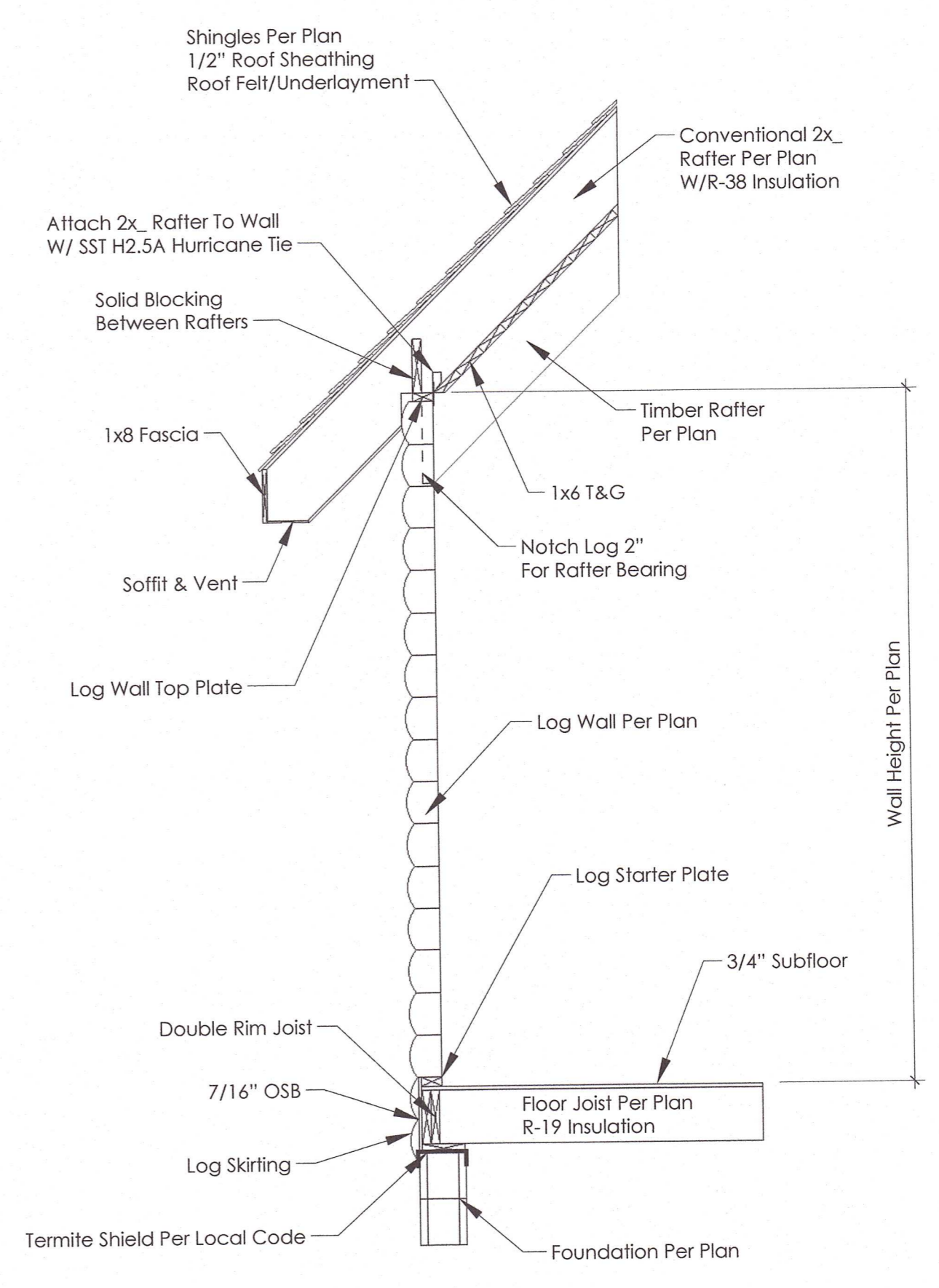


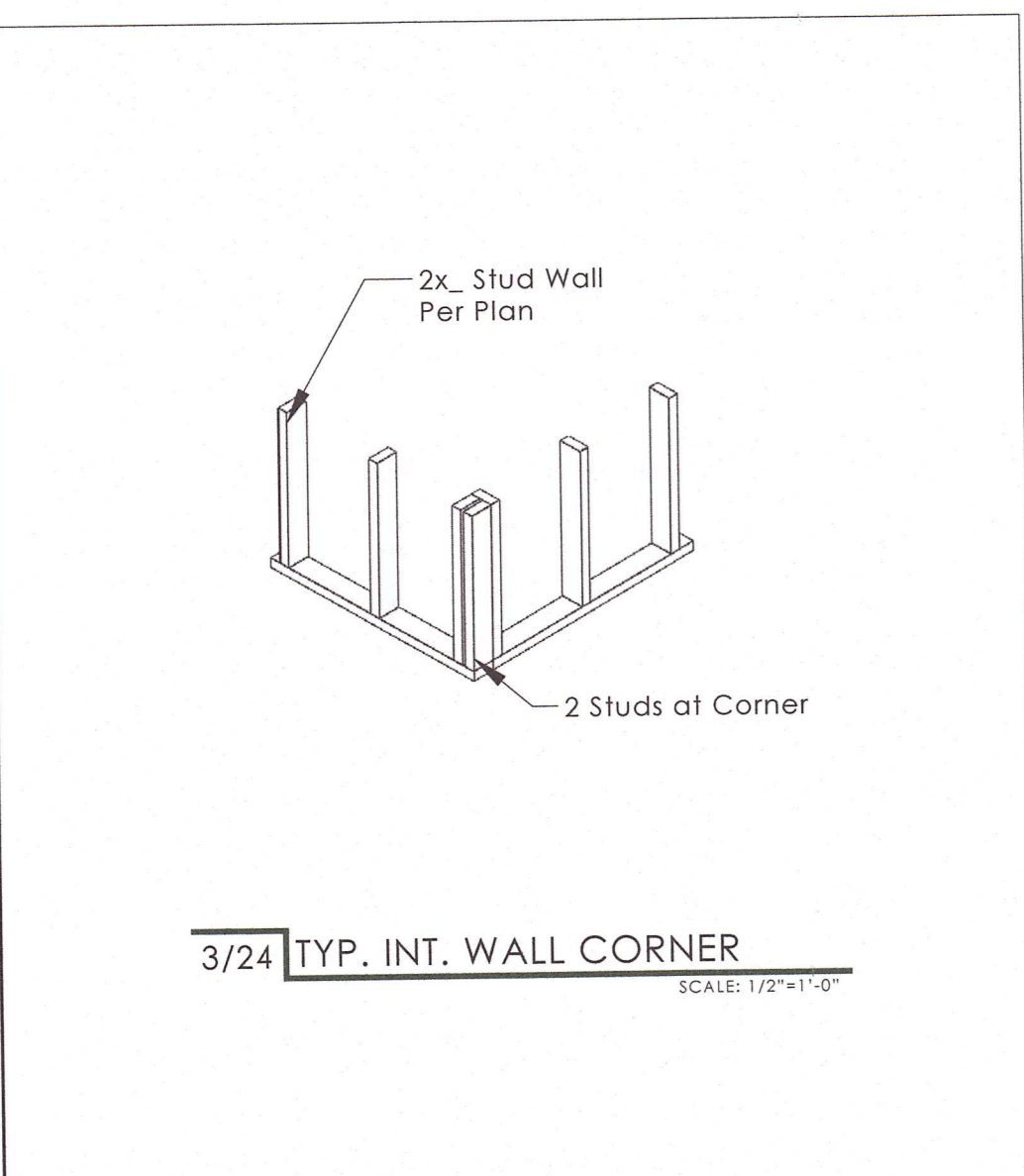
1/24 TIMBER TRUSS DETAIL  
SCALE: 1/2" = 1'-0"



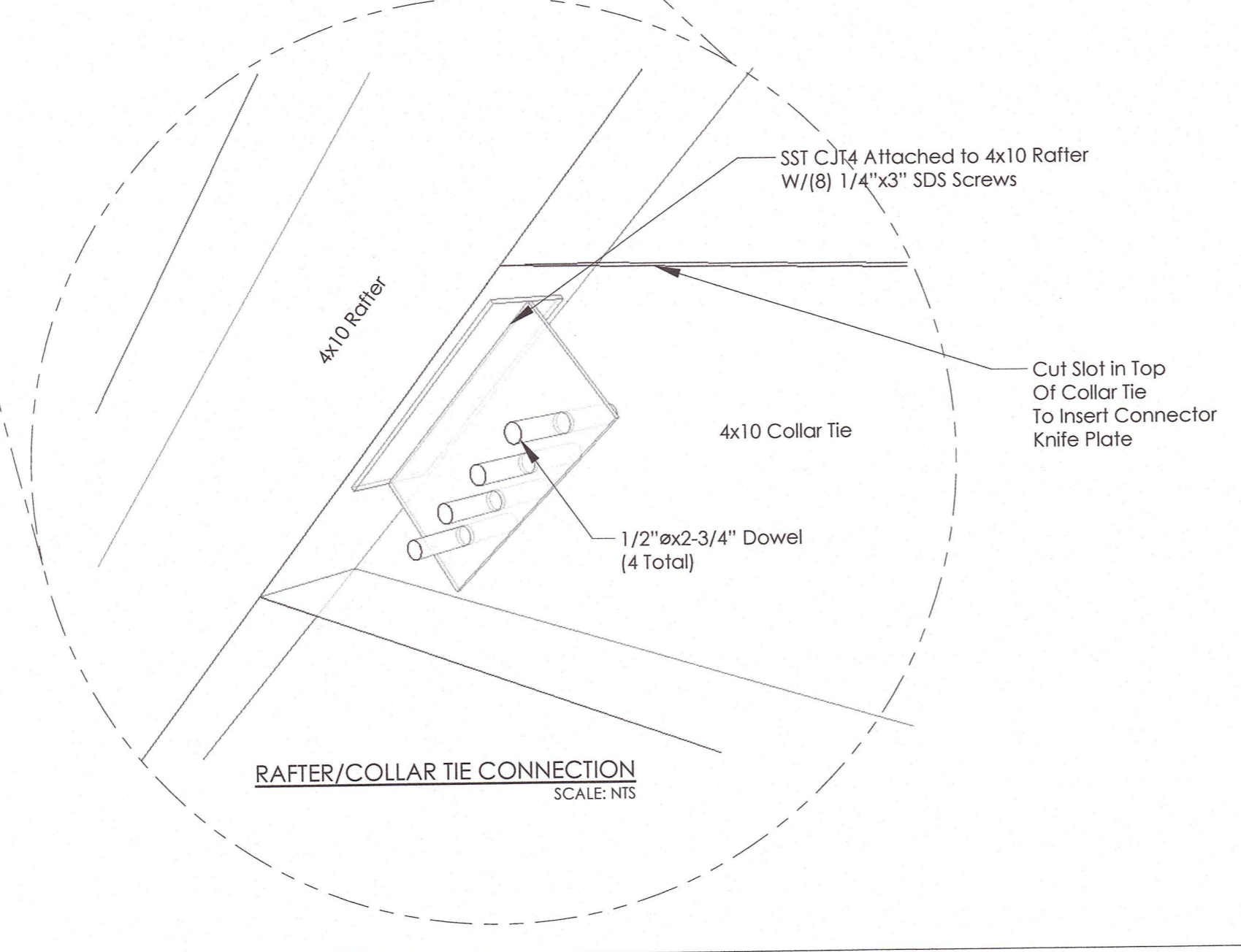
RAFTER AT RIDGE CONNECTION  
SCALE: 3/4" = 1'-0"



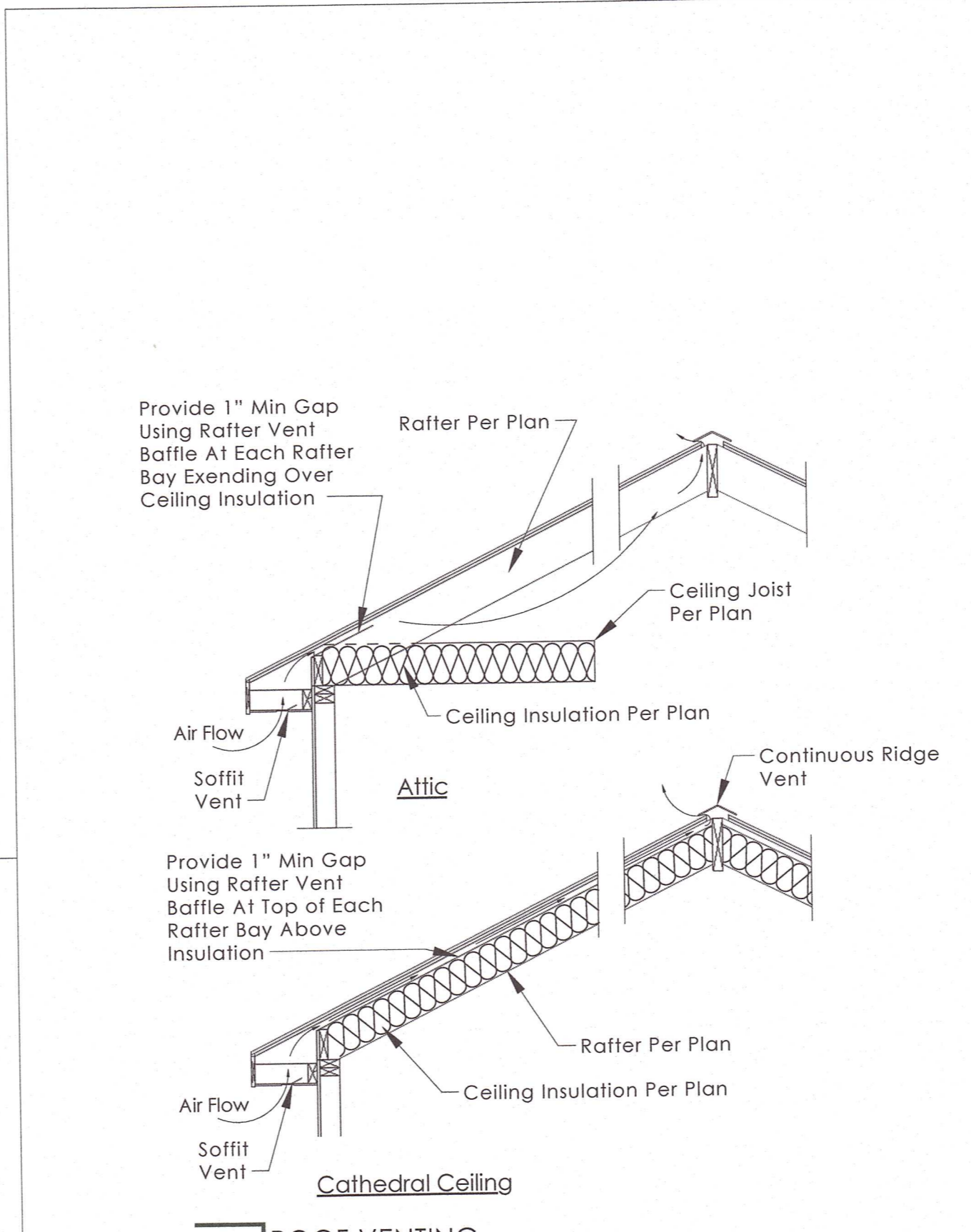
2/24 TYP. WALL SECTION  
SCALE: 1/2" = 1'-0"



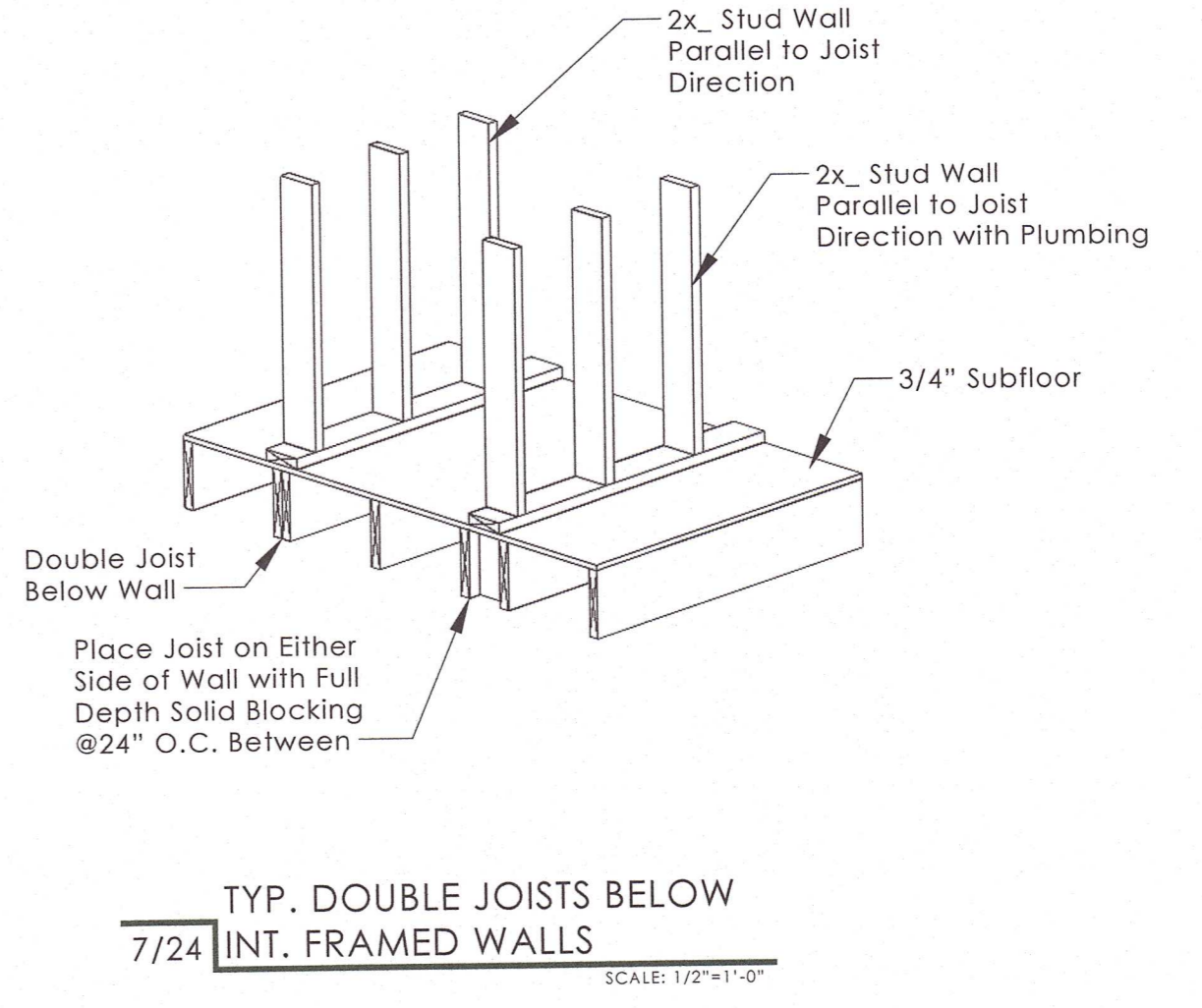
3/24 TYP. INT. WALL CORNER  
SCALE: 1/2" = 1'-0"



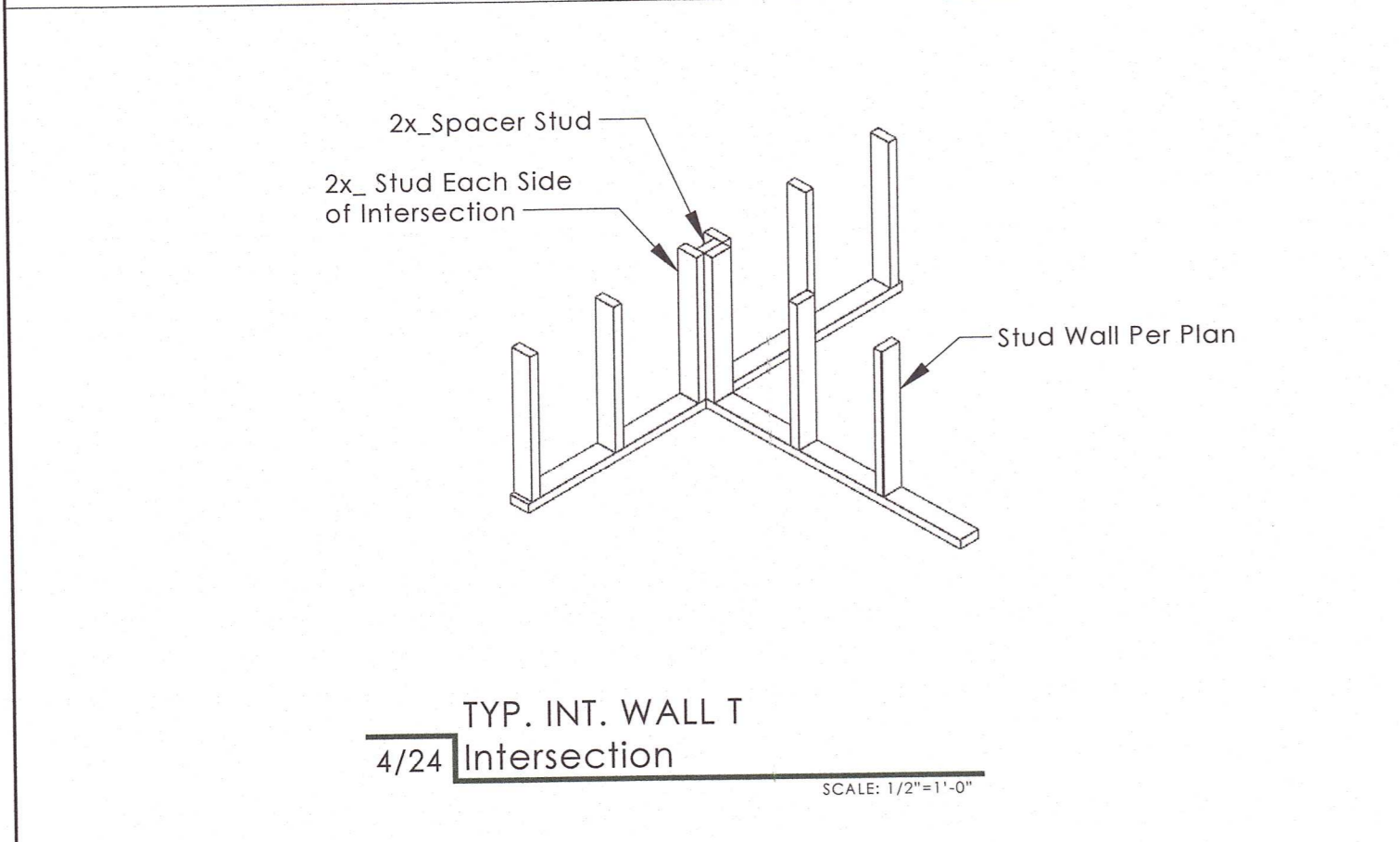
RAFTER/COLLAR TIE CONNECTION  
SCALE: NTS



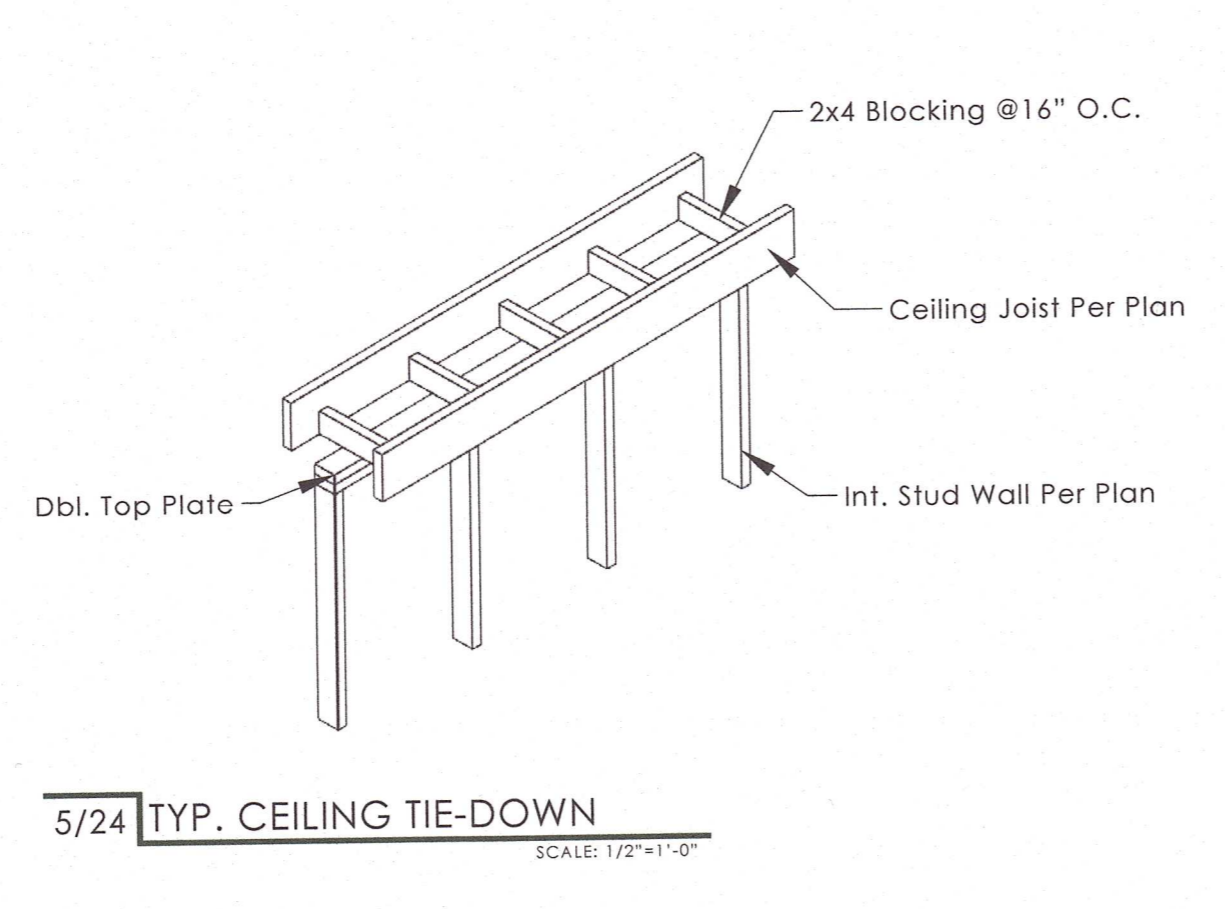
6/24 ROOF VENTING  
SCALE: 1/2" = 1'-0"



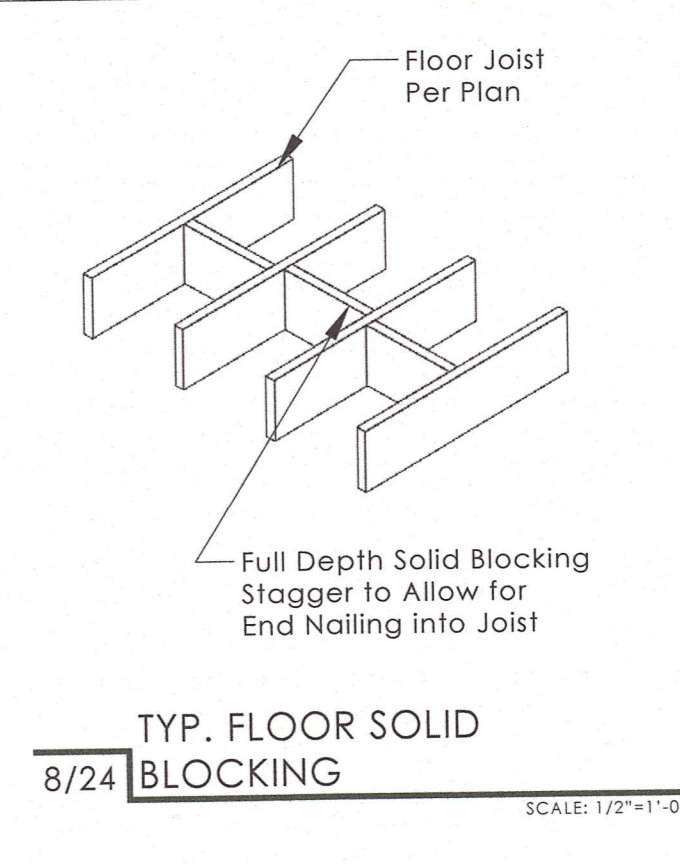
7/24 INT. FRAMED WALLS  
SCALE: 1/2" = 1'-0"



4/24 TYP. INT. WALL T Intersection  
SCALE: 1/2" = 1'-0"



5/24 TYP. CEILING TIE-DOWN  
SCALE: 1/2" = 1'-0"



8/24 TYP. FLOOR SOLID BLOCKING  
SCALE: 1/2" = 1'-0"

