

**Basement Wall Vertical Rebar Requirements**

8" Thick Wall				
Rebar #	4' UBF	6' UBF	7' UBF	9' UBF
#6	@72" O.C.	@68" O.C.	@32" O.C.	@16" O.C.
#5	@72" O.C.	@48" O.C.	@22" O.C.	@10" O.C.
#4	@48" O.C.	@30" O.C.	@14" O.C.	@6" O.C.

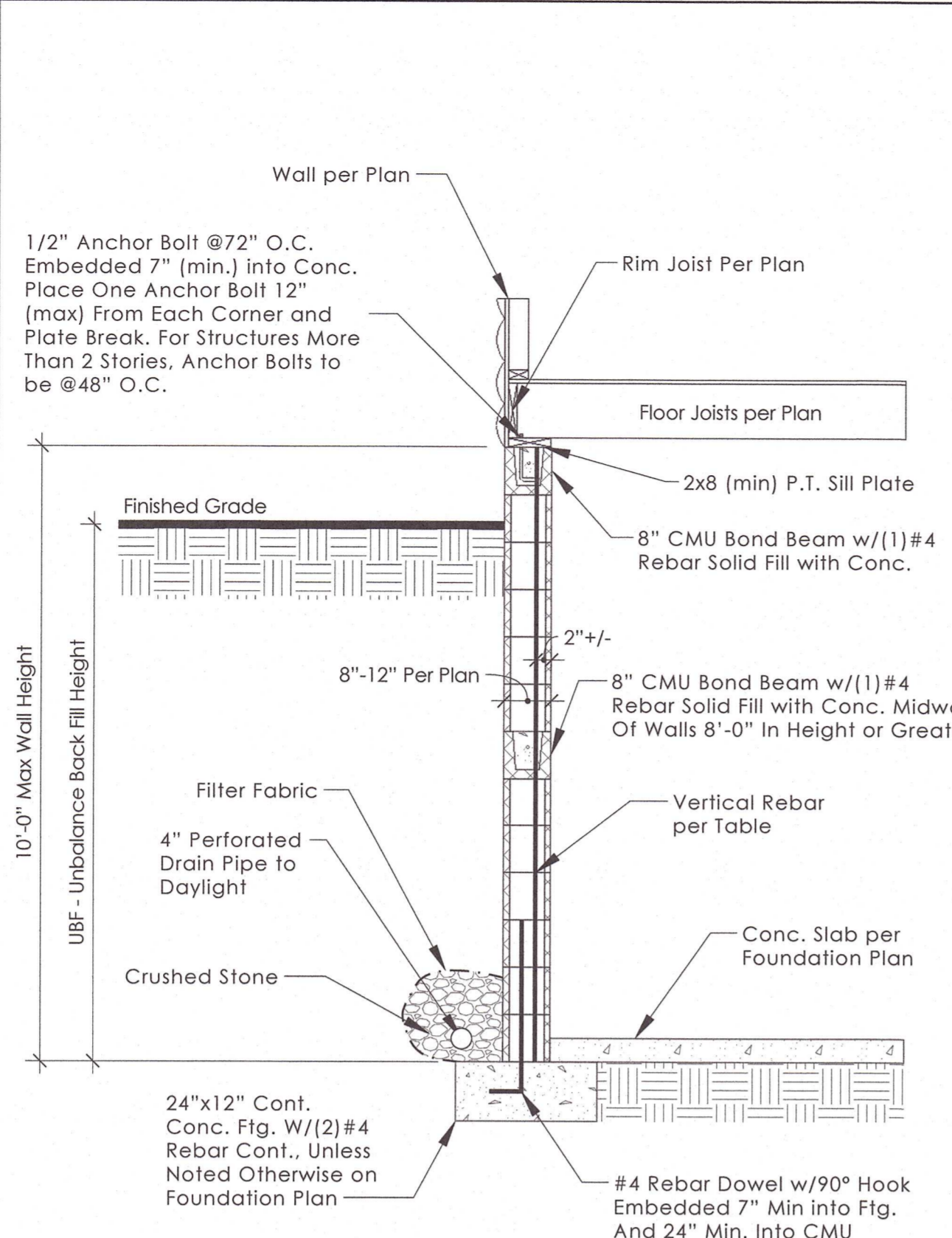
10" Thick Wall				
Rebar #	4' UBF	6' UBF	7' UBF	9' UBF
#6	@72" O.C.	@48" O.C.	@40" O.C.	@16" O.C.
#5	@72" O.C.	@32" O.C.	@24" O.C.	@10" O.C.
#4	@48" O.C.	@20" O.C.	@16" O.C.	@6" O.C.

12" Thick Wall				
Rebar #	4' UBF	6' UBF	7' UBF	9' UBF
#6	@72" O.C.	@72" O.C.	@72" O.C.	@40" O.C.
#5	@72" O.C.	@72" O.C.	@50" O.C.	@28" O.C.
#4	@72" O.C.	@46" O.C.	@32" O.C.	@18" O.C.

Notes:  
 1) UBF = Unbalanced Back Fill  
 2) Chart applies to walls not more than 10'-0" high with no more than 9'-0" of unbalanced fill.  
 3) Horizontal rebar per detail is required regardless of backfill.

1/22 TYP. POURED CONCRETE BASEMENT WALL SCALE: 1/2" = 1'-0"



**CMU Basement Wall Vertical Rebar Requirements**

8" Thick Wall				
Rebar #	4' UBF	6' UBF	7' UBF	9' UBF
#6	@72" O.C.	@68" O.C.	@32" O.C.	@16" O.C.
#5	@72" O.C.	@48" O.C.	@22" O.C.	@10" O.C.
#4	@48" O.C.	@30" O.C.	@14" O.C.	@6" O.C.

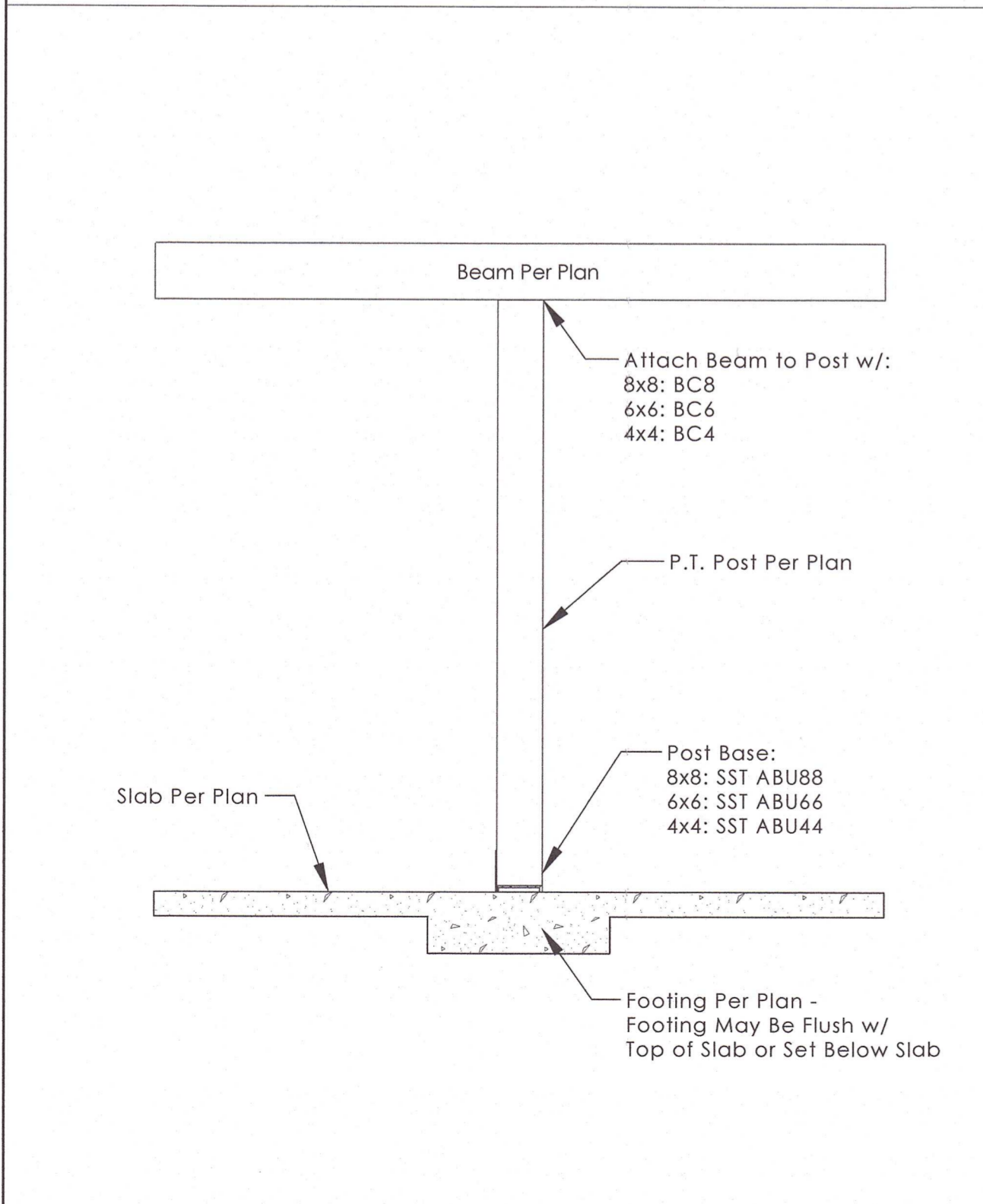
10" Thick Wall				
Rebar #	4' UBF	6' UBF	7' UBF	9' UBF
#6	@72" O.C.	@48" O.C.	@40" O.C.	@16" O.C.
#5	@72" O.C.	@32" O.C.	@24" O.C.	@10" O.C.
#4	@48" O.C.	@20" O.C.	@16" O.C.	@6" O.C.

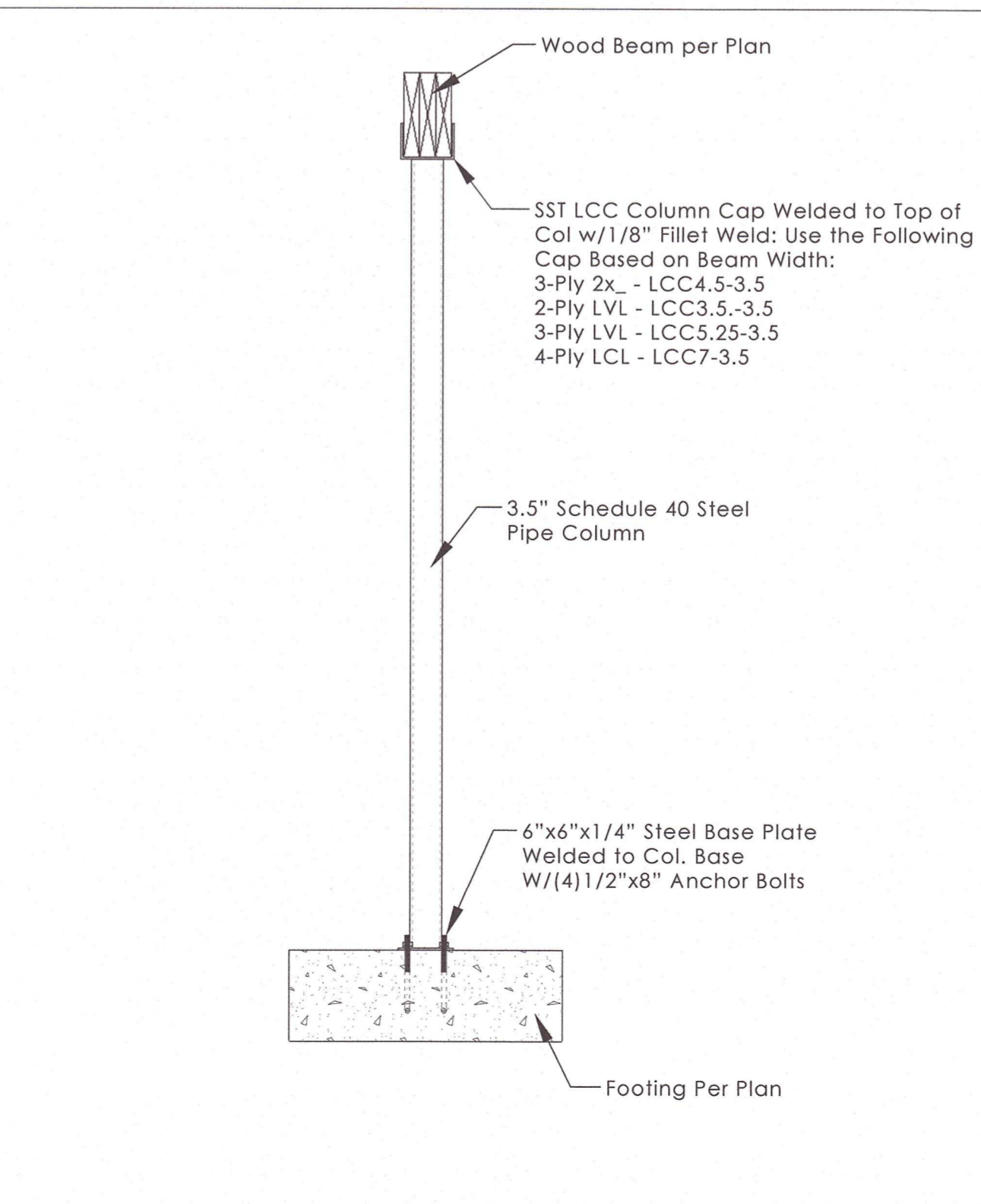
12" Thick Wall				
Rebar #	4' UBF	6' UBF	7' UBF	9' UBF
#6	@72" O.C.	@72" O.C.	@72" O.C.	@40" O.C.
#5	@72" O.C.	@72" O.C.	@50" O.C.	@28" O.C.
#4	@72" O.C.	@46" O.C.	@32" O.C.	@18" O.C.

Notes:  
 1) UBF = Unbalanced Back Fill  
 2) Chart applies to walls not more than 10'-0" high with no more than 9'-0" of unbalanced fill.  
 3) Solid fill all cells containing rebar.  
 4) Walls less than 4'-0" in height and 2'-0" or less of UBF do not require rebar.

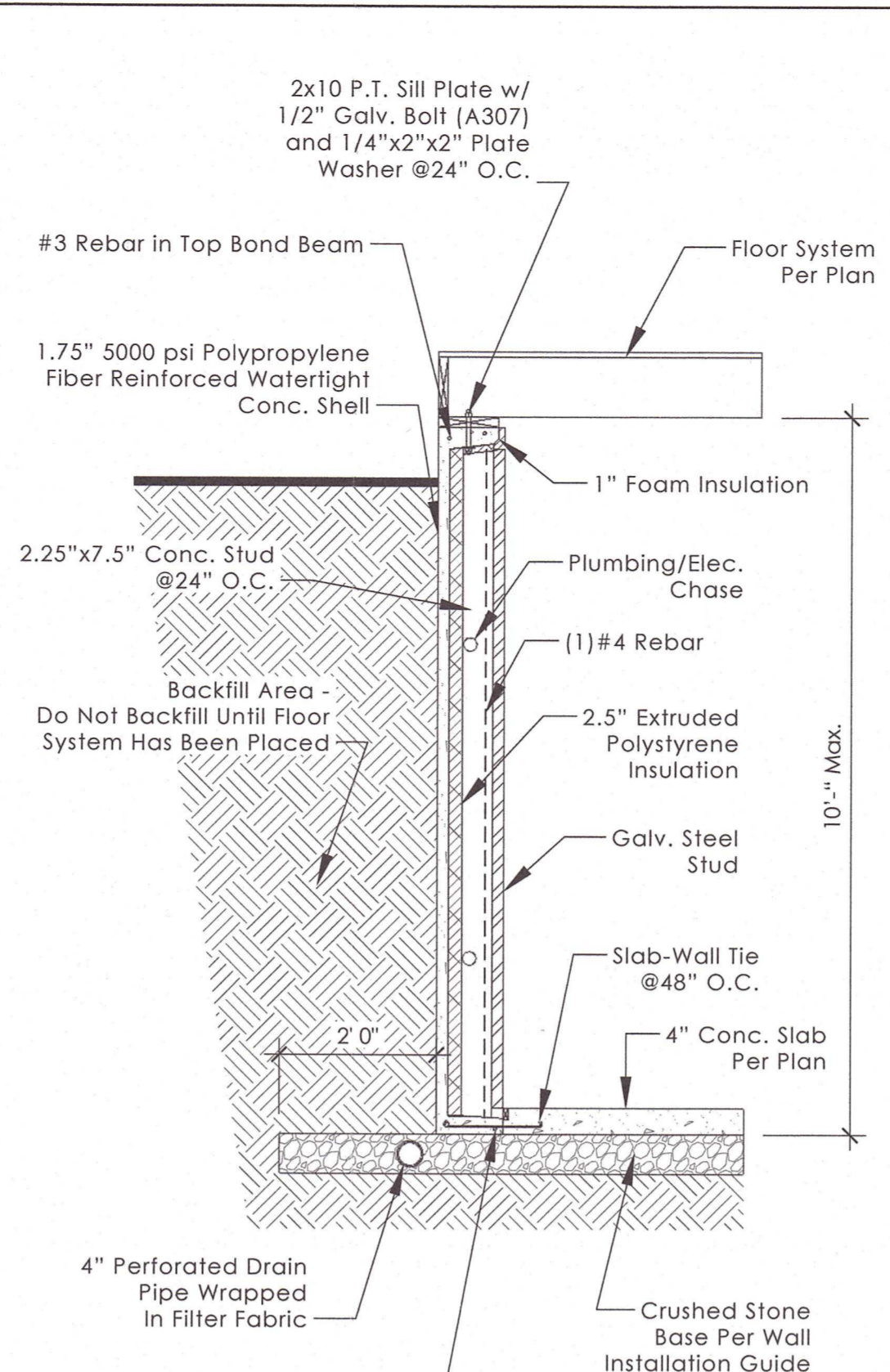
2/22 TYP. CMU BASEMENT WALL SCALE: 1/2" = 1'-0"



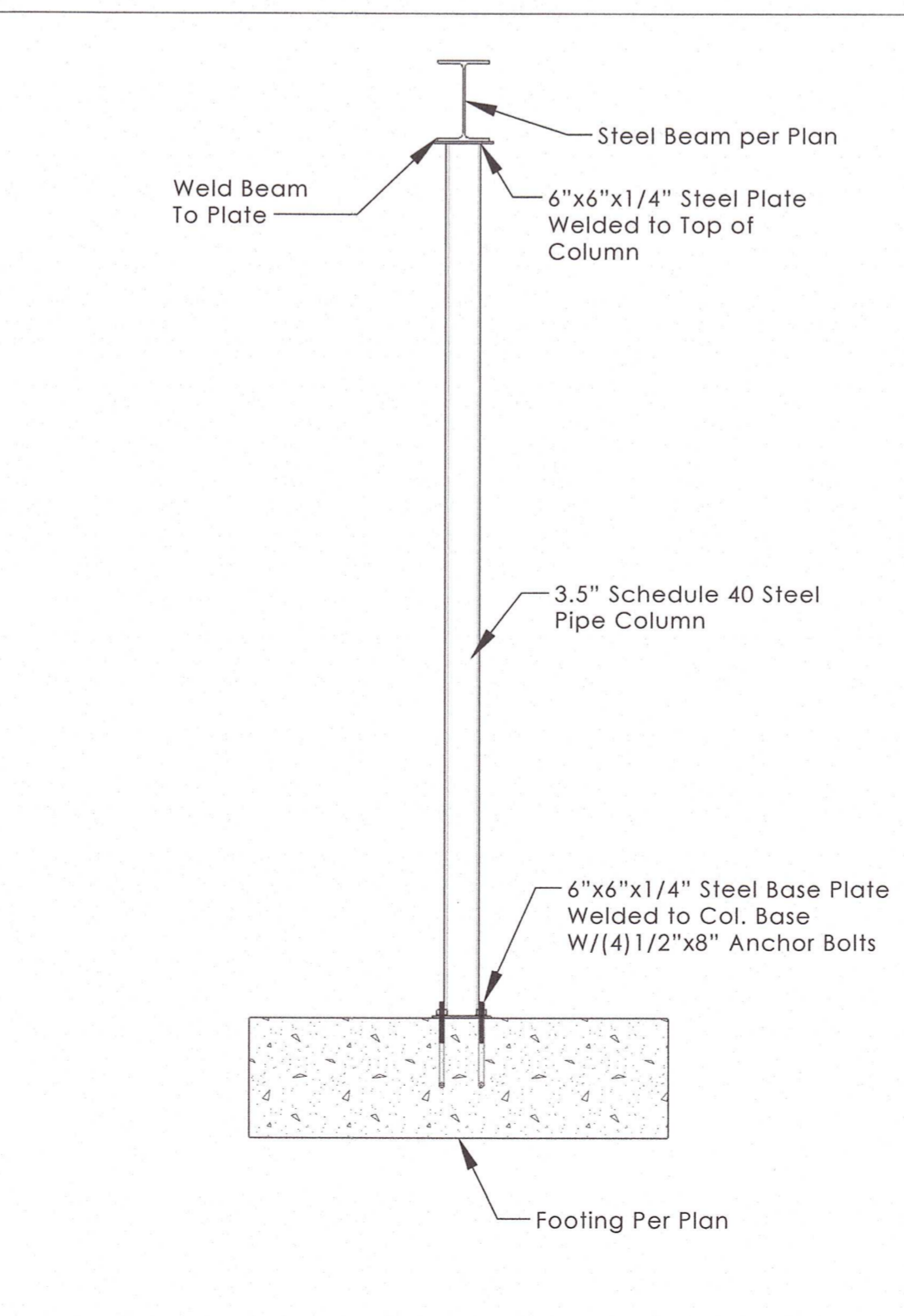
7/22 TYP. WOOD BASMENT POST SCALE: 3/4" = 1'-0"



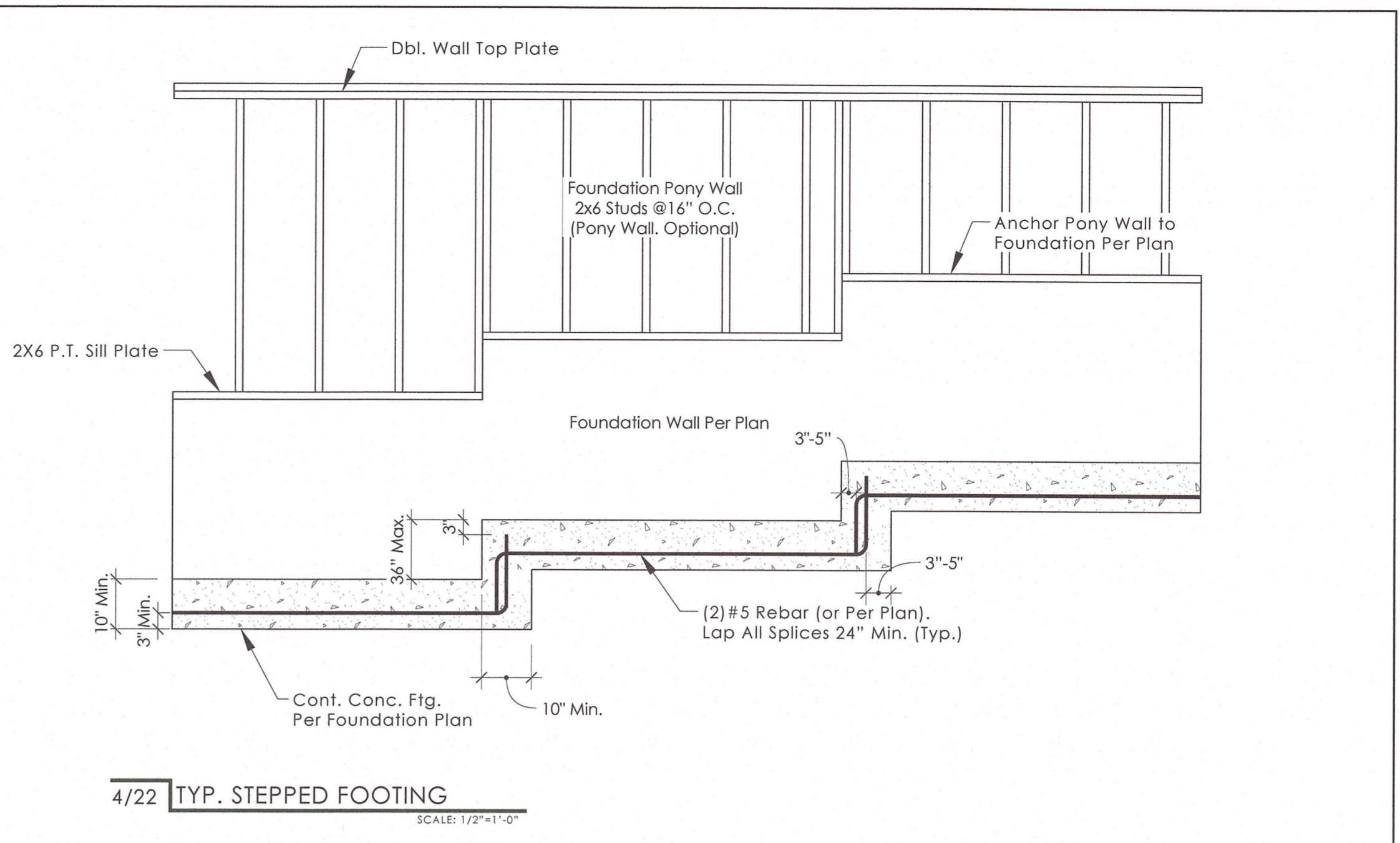
8/22 Steel Pipe Column/LVL Detail SCALE: 3/4" = 1'-0"



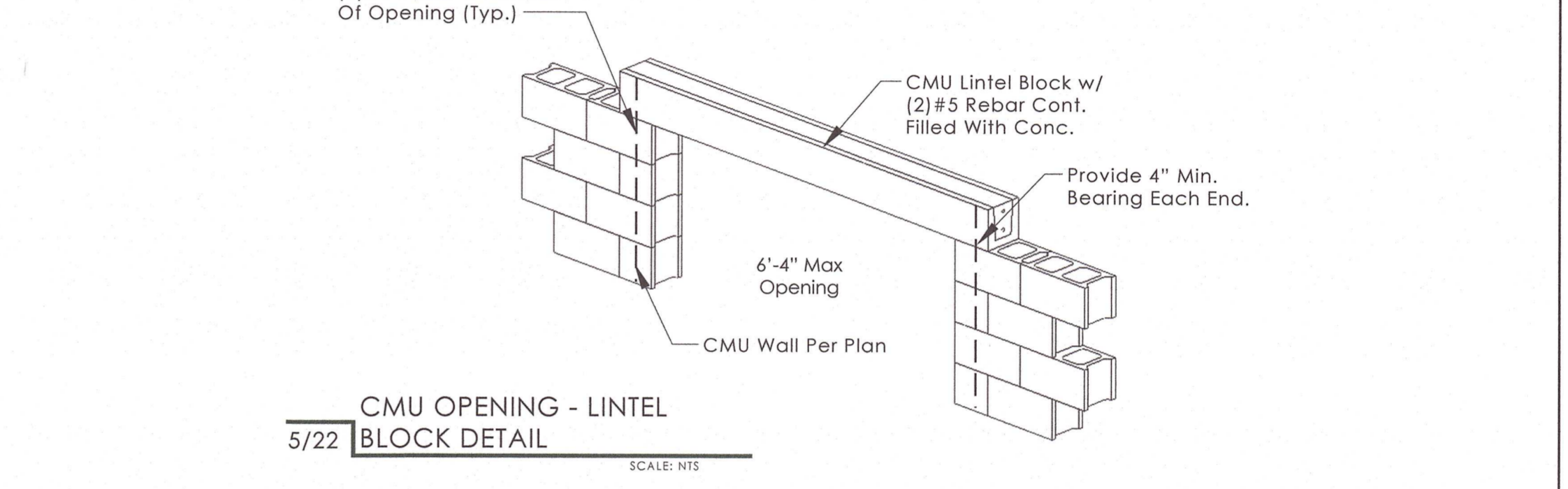
3/22 TYP. PRECAST BASEMENT WALL SCALE: 1/2" = 1'-0"



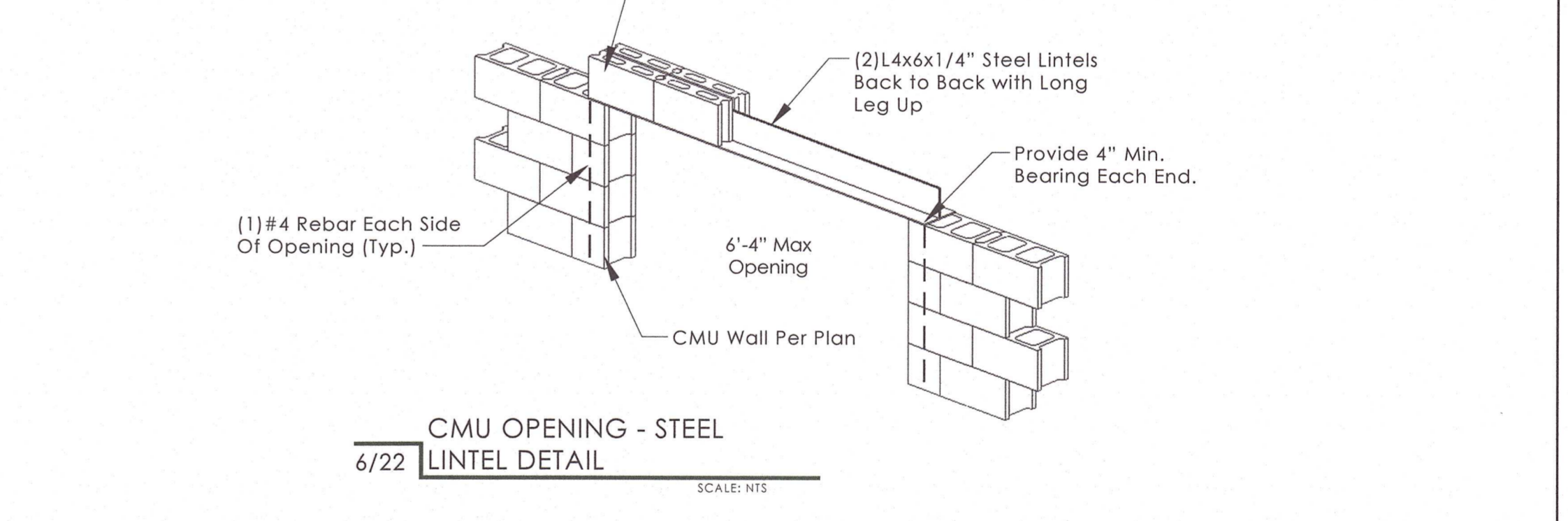
9/22 Steel Pipe Column/Steel Beam Detail SCALE: 3/4" = 1'-0"



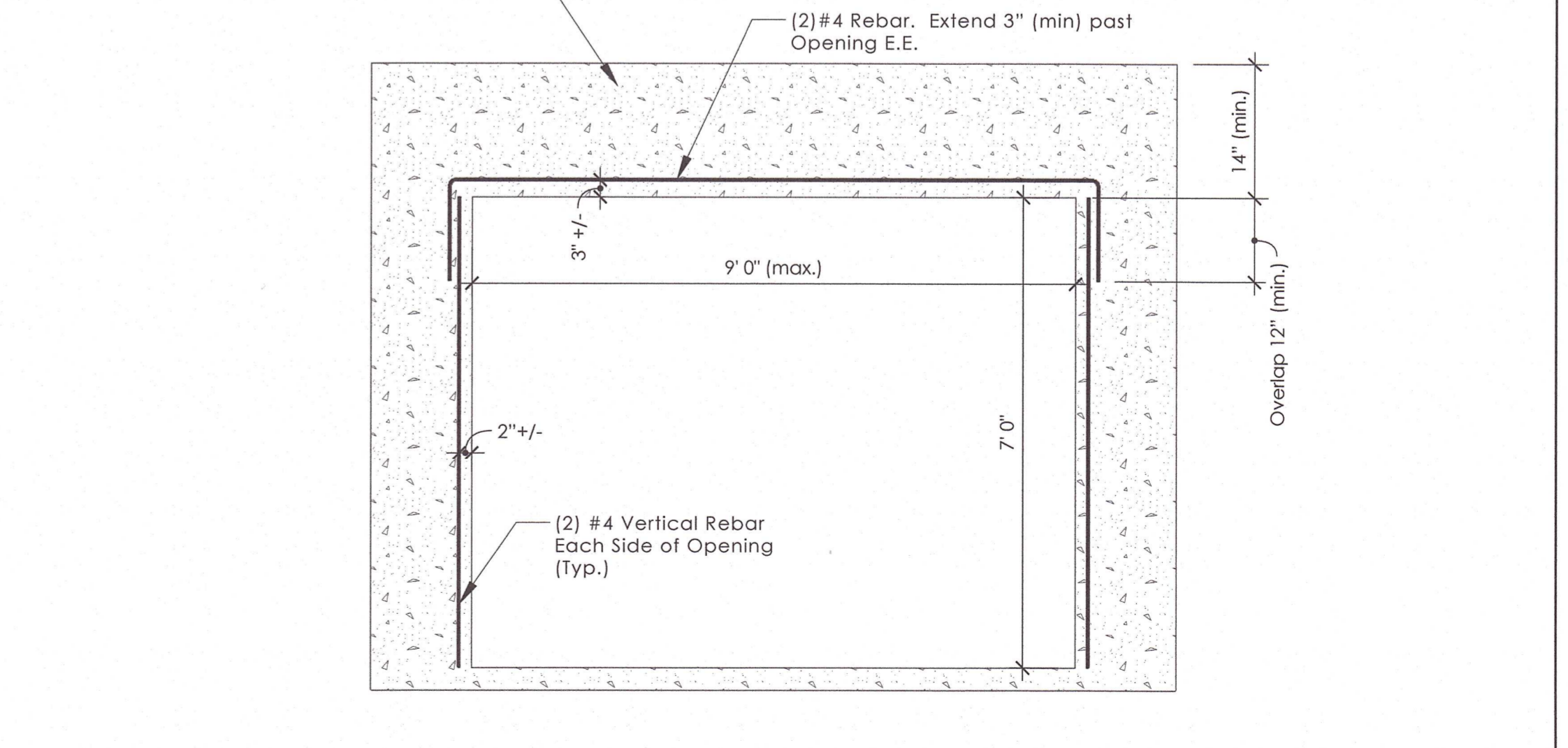
4/22 TYP. STEPPED FOOTING SCALE: 1/2" = 1'-0"



5/22 CMU OPENING - LINTEL BLOCK DETAIL SCALE: NTS



6/22 CMU OPENING - STEEL LINTEL DETAIL SCALE: NTS



10/22 Typ. Conc. Wall Opening SCALE: 3/4" = 1'-0"